

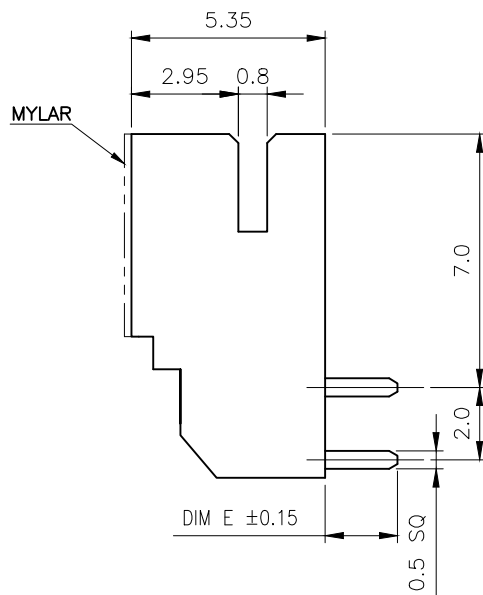
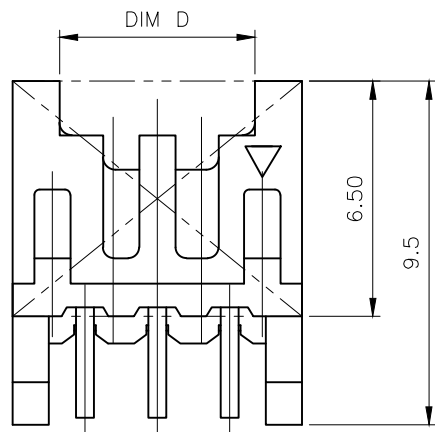
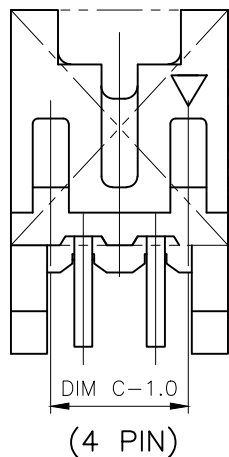
RECOMMENDED PCB LAYOUT  
GENERAL TOLERANCE ±0.05

NOTES:

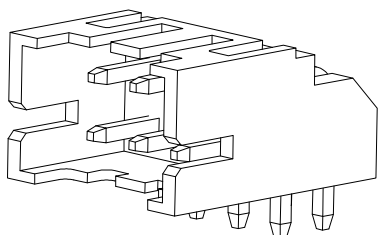
- MATERIAL:
  - HOUSING: THERMOPLASTIC, HIGH TEMP, UL 94V-0
  - CONTACT: COPPER ALLOY
- FINISH:
  - CONTACT:
    - N: 50u"MIN NICKEL OVERALL
    - 120u" MIN. MATT TIN
- WAVE SOLDER CAPABLE TO 260 C°PER ACES SPEC.
- SPEC. PLS. REFER TO PS-59011-XXXXX-XXX
- PACKAGE PLS. SEE PART NUMBER.
- PART NUMBER

XXX	DIM E	PACKAGE
001	2.0mm	59012-XXXX-TRP
002	1.2mm	
003	1.6mm	
004	1.0mm	
005	2.7mm	59012-XXXX-TRP
006	1.2mm	59012-XXXX-XX-TRP
009	1.3mm	59012-XXXX-TRP
010	2.3mm	59012-XXXX-TRP

59012-XXX X X -XXX  
 NO OF CKT  
 PACKING  
 PLATING  
 N: MATT TIN(LEAD FREE)  
 0:TAPE & REEL(4,6,8,10,12,16 pin With Mylar)  
 1:TUBE  
 T:TUBE WITHOUT MYLAR  
 U:TAPE &REEL WITHOUT MYLAR



CKTS	DIMENSION MM				MylarDim(mm)
	A	B	C	D	
4	2.00	6.00	4.80	3.40	5.9*6.5*t0.12
6	4.00	8.00	6.80	5.90	7.9*6.5*t0.12
8	6.00	10.00	8.80	7.90	7.9*6.5*t0.12
10	8.00	12.00	10.80	9.90	11.9*6.5*t0.12
12	10.00	14.00	12.80	11.90	11.9*6.5*t0.12
16	14.00	18.00	16.80	15.90	17.9*6.5*t0.12
18	16.00	20.00	18.80	17.90	NONE
20	18.00	22.00	20.80	19.90	NONE
22	20.00	24.00	22.80	21.90	NONE



QUALITY SYMBOLS MAJOR Ⓢ CRITICAL Ⓢ	DRAWN BY Shi,SongTao	DATE 22'/09/20										
GENERAL TOLERANCES (UNLESS SPECIFIED)	CHECKED BY Xu,ZhiYong	DATE 22'/09/20			TITLE 2.0mm WTB WAFER CONN. T/H D/R R/A TYPE.							
X. ±0.5 .X ±0.25 .XX ±0.15 .XXX ±0.1 ANGLES ±2°	APPROVED BY Xu,ZhiYong	DATE 22'/09/20			<table border="1"> <tr> <td>UNITS mm</td> <td>SIZE A4</td> <td>DWG NO. 59012-XXXXX-XXX</td> </tr> <tr> <td>SCALE 1 : 1</td> <td>SHEET NO. 1 OF 1</td> <td>REV Q</td> </tr> <tr> <td colspan="3">PART NO. SEE NOTES</td> </tr> </table>	UNITS mm	SIZE A4	DWG NO. 59012-XXXXX-XXX	SCALE 1 : 1	SHEET NO. 1 OF 1	REV Q	PART NO. SEE NOTES
UNITS mm	SIZE A4	DWG NO. 59012-XXXXX-XXX										
SCALE 1 : 1	SHEET NO. 1 OF 1	REV Q										
PART NO. SEE NOTES												